



ARYA-EMBEDDED SOLUTIONS

ARYA ELECTRONICS AND CONTROLS PVT. LTD.

SCREW AIR COMPRESSOR CONTROLLER

AE-2020



ABOUT US

Arya Electronics & Controls Pvt. Ltd. has 20+ years of industry experience in the field of manufacture, design, & development of embedded electronic controllers for rotating equipments.

BENEFITS

Easy Installation

Wide Product Range

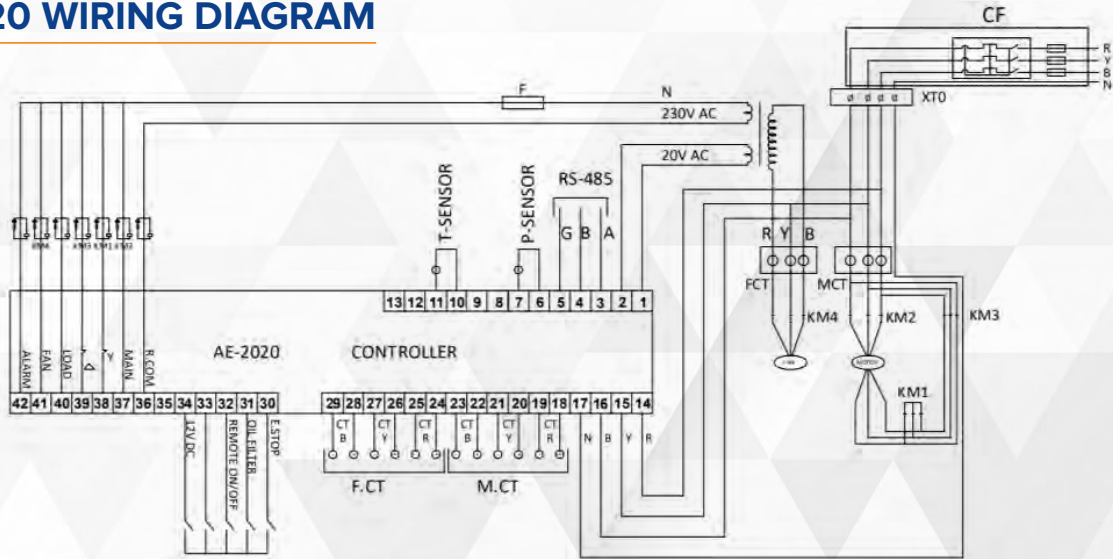
Withstand Diverse Environments

Quality & Reliability

Early Fault Detection

Future Ready

AE-2020 WIRING DIAGRAM



FEATURES

- ✓ 128*64 Graphical LCD
- ✓ Auto start operation at power NO/OFF
- ✓ Remote ON/OFF operation
- ✓ History records available
- ✓ Service hours counters
- ✓ Star/Delta startup
- ✓ Load Solenoid control
- ✓ Voltage & Current measurement and Protection
- ✓ Prevention for air compressor reversion
- ✓ 20V AC Supply
- ✓ LED Indication for each status
- ✓ 6 Analog inputs
- ✓ 6 Programmable relay output
- ✓ 3 Programmable Digital inputs
- ✓ 2 Pressure sensor inputs
- ✓ 2 Temperature sensor inputs
- ✓ Adjustable sensor characteristics
- ✓ MODBUS RTU communication
- ✓ Wide operating Temperature range
- ✓ Wide operating Pressure range

SPECIFICATIONS

Sr.	Motor	Sr NCurrent in amp max Inrush current	Model Name	Motor CT	Fan CT
1	60-100HP	150A	AE2020- M100	150A/30mA	10A/10mA
2	30-60Hp	93.65A	AE2020- M60	100A/30mA	10A/10mA
3	15-30Hp	56.16A	AE2020- M30	60A/30mA	10A/10mA
4	0-15Hp	28.08A	AE2020- M15	30A/30mA	10A/10mA

Cut out dimension : 139 mm (L) X 239 mm (W)

Over all dimension : 154mm (L) X 257 mm (W) X 36.5mm (H)